

THREE TERMINAL NEGATIVE VOLTAGE REGULATORS -5V, -12V, -15V.

KIA79M×× Series of three-terminal regulators is available with fixed output voltages of -5V, -12V, and -15V. These devices need only one external component—a compensation capacitor at the output. The KIA79MXX series is packaged in the TO-220 power package, and is capable of supplying 0.5A of output current.

These regulators employ internal current limiting, safe area protection, and thermal shutdown for protection against virtually all overload conditions.

Low ground pin current of the KIA79MXX series allows output voltage to be easily boosted above the preset value with a resistor divider. The low quiescent current of these devices with a specified maximum change with line and load ensures good regulation in the voltage boosted mode.

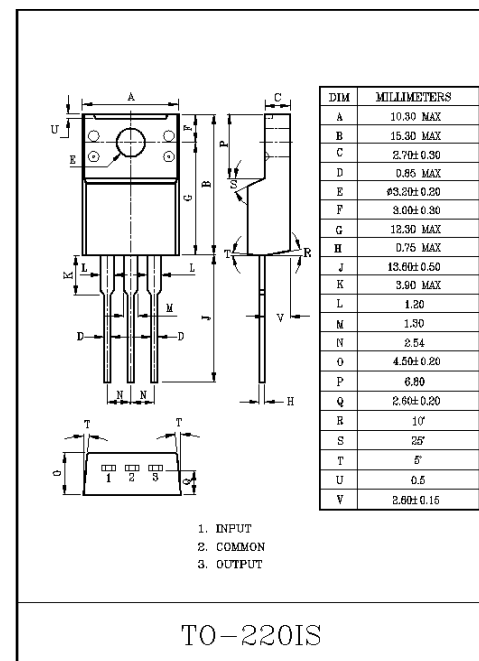
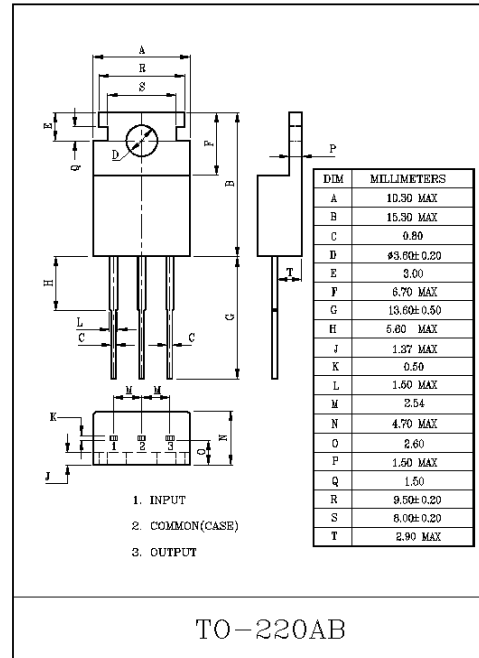
FEATURES

- Thermal, Short Circuit and Safe Area Protection
- High Ripple Rejection.
- 0.5A Output Current
- 4% Tolerance on Preset Output Voltage.

MAXIMUM RATINGS (Ta=25°C)

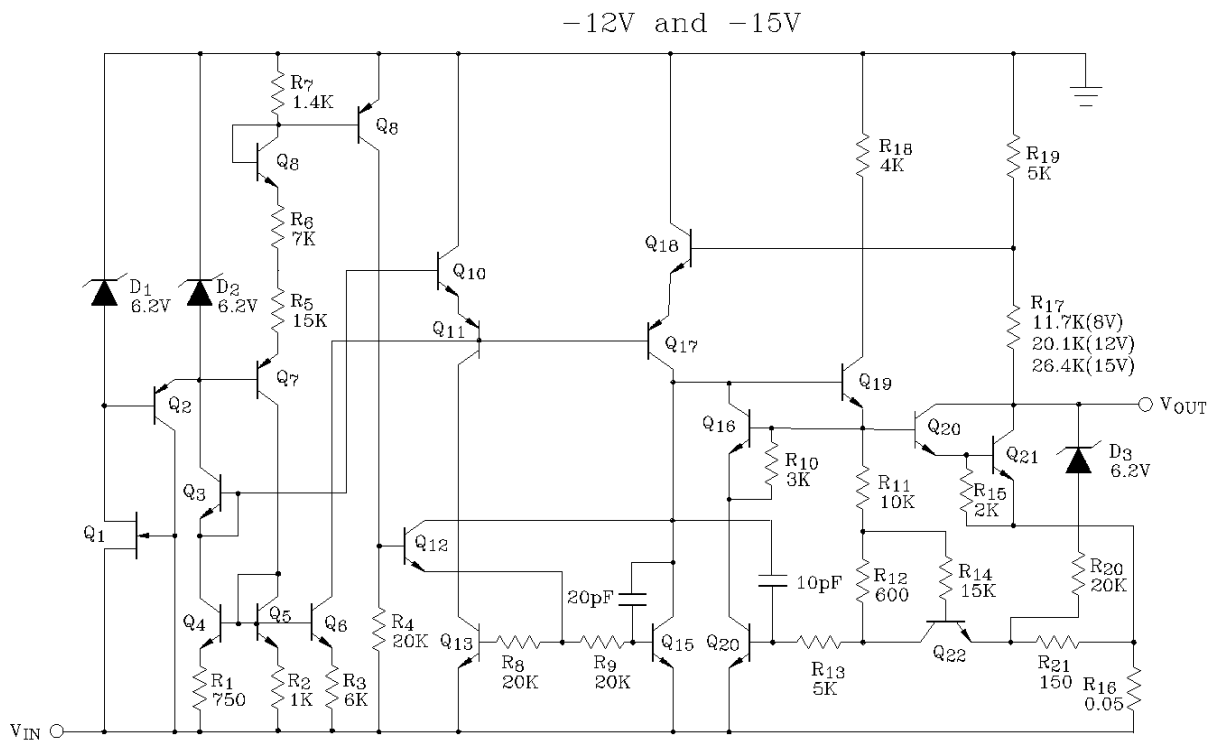
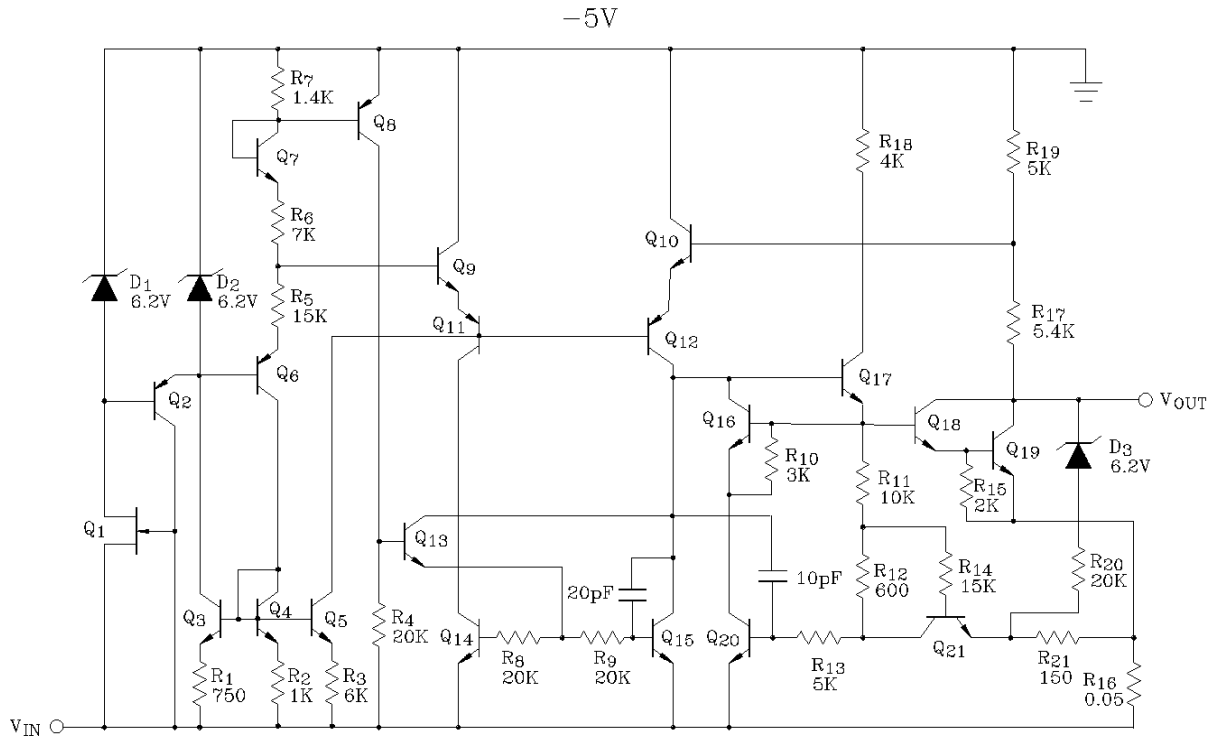
CHARACTERISTIC	SYMBOL	RATING	UNIT
Input Voltage	V_{IN}	-35	V
Power Dissipation	P_D	Internally Limited	(Note1)
Operating Junction Temperature	T_j	-40~125	°C
Storage Temperature	T_{sig}	-55~150	°C
Soldering Temperature (10 seconds)	T_{sol}	260	°C

- * Note1 : • Thermal Resistance Junction-Cases.
($R_{Qjc}=5^{\circ}C/W.$)
• Thermal Resistance Junction-Air.
($R_{QjA}=65^{\circ}C/W.$)



KIA79M05P/PI ~ KIA79M15P/PI

EQUIVALENT CIRCUIT



KIA79M05P/PI ~ KIA79M15P/PI

ELECTRICAL CHARACTERISTICS

KIA79M05P/PI

(unless otherwise specified : $V_{IN}=-10V$, $I_{OUT}=350mA$, $C_{IN}=0.33\mu F$, $C_{OUT}=1\mu F$)

CHARACTERISTIC	SYMBOL	TEST CONDITION	MIN.	TYP.	MAX.	UNIT
Output Voltage	V_O	$T_j=25^\circ C$	-4.8	-5.0	-5.2	V
		$5mA \leq I_O \leq 350mA$ $-7V \leq V_{IN} \leq -25V$	-4.75	-5.0	-5.25	
Line Regulation	V_{Reg} Line	$-7V \leq V_{IN} \leq -25V$, $T_j=25^\circ C$	-	7	50	mV
		$-8V \leq V_{IN} \leq -18V$, $T_j=25^\circ C$	-	2	30	
Load Regulation	V_{Reg} Load	$5mA \leq I_O \leq 500mA$, $T_j=25^\circ C$	-	30	100	mV
Quiescent Current	I_B	$T_j=25^\circ C$	-	4	6	mA
Quiescent Current Change	ΔI_B	$5mA \leq I_O \leq 350mA$	-	-	0.4	mA
		$-8V \leq V_{IN} \leq -25V$	-	-	0.4	mA
Output Noise Voltage	V_{NO}	$f=10Hz \sim 100kHz$, $T_j=25^\circ C$	-	40	-	μV
Ripple Rejection	R·R	$f=120Hz$, $-8V \leq V_{IN} \leq -18V$	65	78	-	dB
Dropout Voltage	V_D	$I_O=500mA$, $T_j=25^\circ C$	-	1.1	-	V
Short Circuit Current	I_{SC}	$T_j=25^\circ C$	-	800	-	mA
Output Voltage Drift	$\Delta V_O / \Delta T$	$I_O=5mA$, $T_j=0 \sim 125^\circ C$	-	-0.5	-	mV/ $^\circ C$

KIA79M05P/PI ~ KIA79M15P/PI

ELECTRICAL CHARACTERISTICS

KIA79M12P/PI

(unless otherwise specified : $V_{IN}=-19V$, $I_{OUT}=350mA$, $C_{IN}=0.33\mu F$, $C_{OUT}=1\mu F$)

CHARACTERISTIC	SYMBOL	TEST CONDITION	MIN.	TYP.	MAX.	UNIT
Output Voltage	V_O	$T_j=25^\circ C$	-11.5	-12	-12.5	V
		$5mA \leq I_O \leq 350mA$ $-14.5V \leq V_{IN} \leq -27V$	-11.4	-12	-12.6	
Line Regulation	V_{Reg} Line	$-14.5V \leq V_{IN} \leq -30V$, $T_j=25^\circ C$	-	5	80	mV
		$-15V \leq V_{IN} \leq -25V$, $T_j=25^\circ C$	-	3	50	
Load Regulation	V_{Reg} Load	$5mA \leq I_O \leq 500mA$, $T_j=25^\circ C$	-	30	240	mV
Quiescent Current	I_B	$T_j=25^\circ C$	-	4	6	mA
Quiescent Current Change	ΔI_B	$5mA \leq I_O \leq 350mA$	-	-	0.4	mA
		$-14.5V \leq V_{IN} \leq -30V$	-	-	0.4	mA
Output Noise Voltage	V_{NO}	$f=10Hz \sim 100kHz$, $T_a=25^\circ C$	-	75	-	μV
Ripple Rejection	R·R	$f=120Hz$, $-15V \leq V_{IN} \leq -25V$	65	75	-	dB
Dropout Voltage	V_D	$I_O=500mA$, $T_j=25^\circ C$	-	1.1	-	V
Short Circuit Current	I_{SC}	$T_j=25^\circ C$	-	800	-	mA
Output Voltage Drift	$\Delta V_O / \Delta T$	$I_O=5mA$, $T_j=0 \sim 125^\circ C$	-	-0.8	-	mV/ $^\circ C$

KIA79M05P/PI ~ KIA79M15P/PI

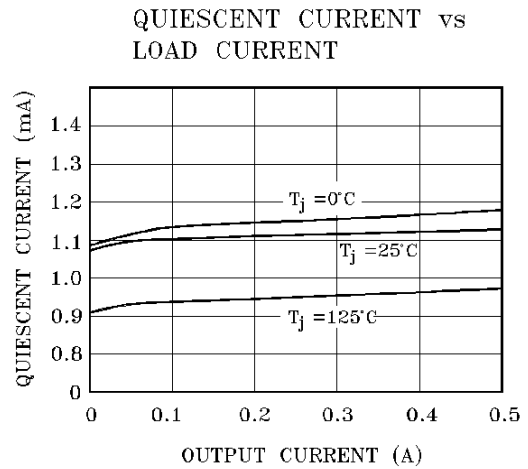
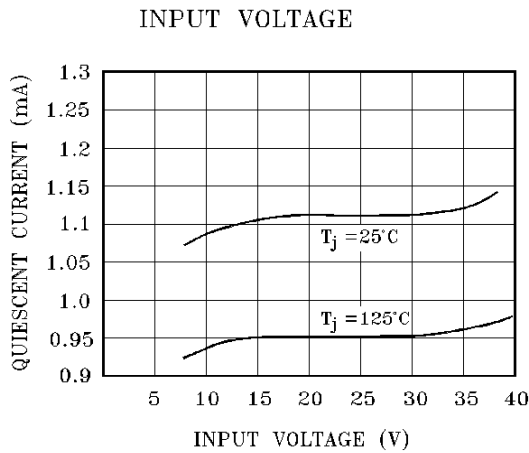
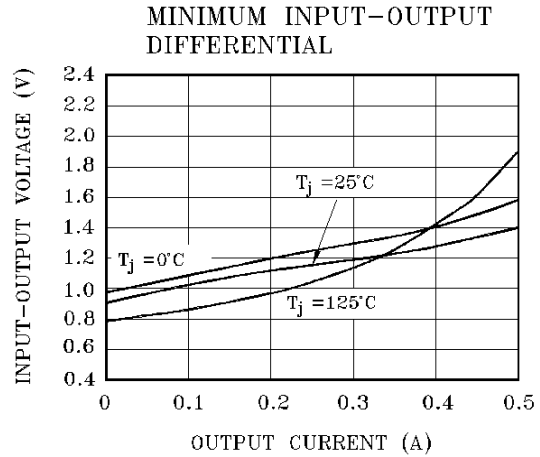
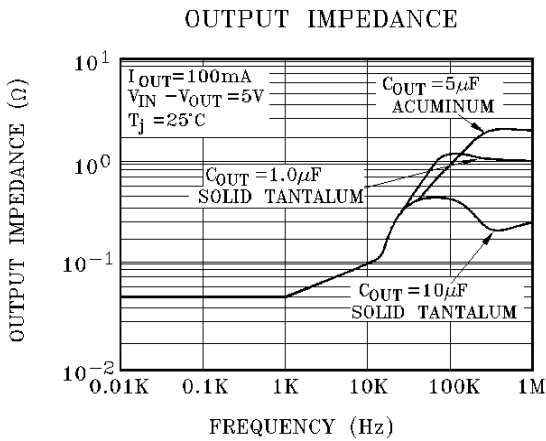
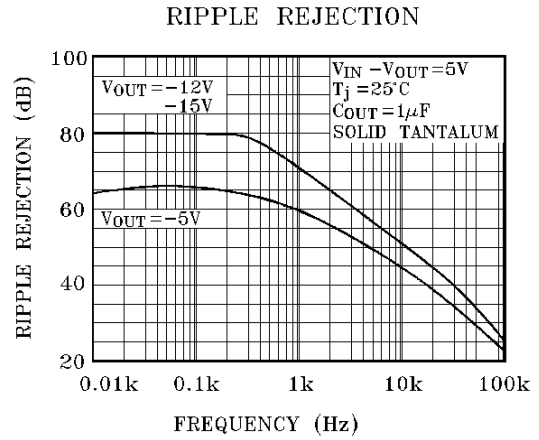
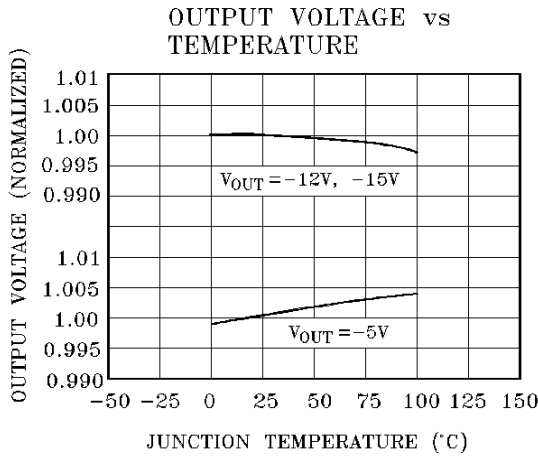
ELECTRICAL CHARACTERISTICS

KIA79M15P/PI

(unless otherwise specified : $V_{IN}=-2.3V$, $I_{OUT}=350mA$, $C_{IN}=0.33\mu F$, $C_{OUT}=1\mu F$)

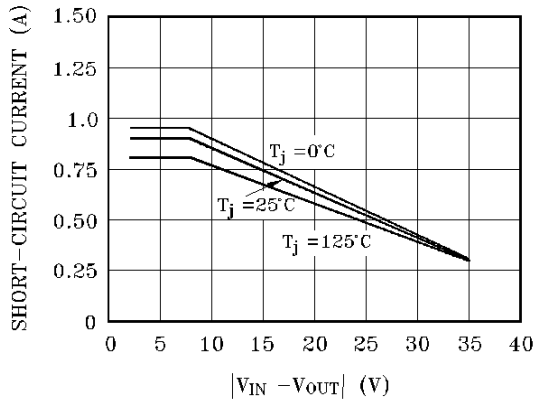
CHARACTERISTIC	SYMBOL	TEST CONDITION	MIN.	TYP.	MAX.	UNIT
Output Voltage	V_O	$T_j=25^\circ C$	-14.4	-15	-15.6	V
		$5mA \leq I_O \leq 350mA$ $-18V \leq V_{IN} \leq -30V$	-14.25	-15	-15.75	
Line Regulation	$V_{Reg} \text{ Line}$	$-17.5V \leq V_{IN} \leq -30V$, $T_j=25^\circ C$	-	5	80	mV
		$-18V \leq V_{IN} \leq -28V$, $T_j=25^\circ C$	-	3	50	
Load Regulation	$V_{Reg} \text{ Load}$	$5mA \leq I_O \leq 500mA$, $T_j=25^\circ C$	-	30	240	mV
Quiescent Current	I_B	$T_j=25^\circ C$	-	4	6	mA
Quiescent Current Change	ΔI_B	$5mA \leq I_O \leq 350mA$	-	-	0.4	mA
		$-17.5V \leq V_{IN} \leq -30V$	-	-	0.4	mA
Output Noise Voltage	V_{NO}	$f=10Hz \sim 100kHz$, $T_a=25^\circ C$	-	90	-	μV
Ripple Rejection	R·R	$f=120Hz$, $-17.5V \leq V_{IN} \leq -30V$	65	70	-	dB
Dropout Voltage	V_D	$I_O=500mA$, $T_j=25^\circ C$	-	1.1	-	V
Short Circuit Current	I_{SC}	$T_j=25^\circ C$	-	800	-	mA
Output Voltage Drift	$\Delta V_O / \Delta T$	$I_O=5mA$, $T_j=0 \sim 125^\circ C$	-	-1.0	-	mV/ $^\circ C$

KIA79M05P/PI ~ KIA79M15P/PI

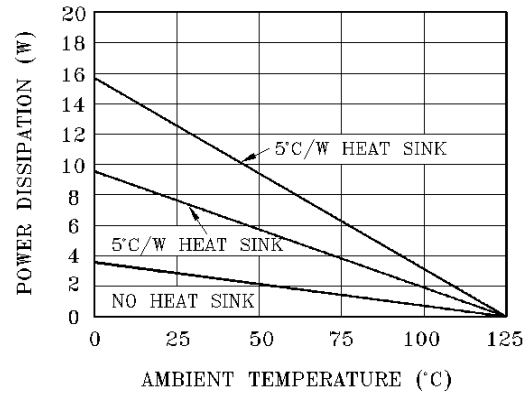


KIA79M05P/PI ~ KIA79M15P/PI

SHORT-CIRCUIT CURRENT



MAXIMUM AVERAGE POWER DISSIPATION($T_0=220$)



KIA79M05P/PI~KIA79M15P/PI

Design Considerations

The KIA79MXX fixed voltage regulator series have thermal overload protection from excessive power, internal short circuit protection which limits the circuit's maximum current, and output transistor safe-area compensation for reducing the output current as the voltage across the pass transistor is increased.

Although the internal power dissipation is limited, the junction temperature must be kept below the maximum specified temperature in order to meet data sheet specifications. To calculate the maximum junction temperature or heat sink required, the following thermal resistance values should be used ;

PACKAGE	θ_{JC} ($^{\circ}\text{C/W}$)	θ_{JA} ($^{\circ}\text{C/W}$)
TO-220	3	40

$$P_{\text{DMAX}} = \frac{T_{\text{Jmax}} - T_{\text{A}}}{\theta_{\text{JC}} + \theta_{\text{CA}}} \text{ or}$$

$$= \frac{T_{\text{Jmax}} - T_{\text{A}}}{\theta_{\text{JA}}} \text{ (Without a Heat Sink)}$$

$$\theta_{\text{CA}} = \theta_{\text{CS}} + \theta_{\text{SA}}$$

Solving for T_{J} :

$$T_{\text{J}} = T_{\text{A}} + P_{\text{D}}(\theta_{\text{JC}} + \theta_{\text{CA}}) \text{ or}$$

$$= T_{\text{A}} + P_{\text{D}}\theta_{\text{JA}} \text{ (Without a Heat Sink)}$$

Where

T_{J} = Junction Temperature

T_{A} = Ambient Temperature

P_{D} = Power Dissipation

θ_{JC} = Junction to Case Thermal Resistance

θ_{CA} = Case to Ambient Thermal Resistance

θ_{CS} = Case to Heat Sink Thermal Resistance

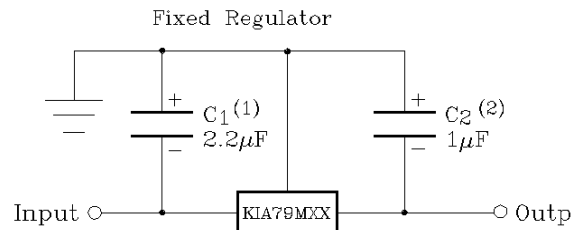
θ_{SA} = Heat Sink to Ambient Thermal Resistance

θ_{JA} = Junction to Ambient Thermal Resistance

Typical Applications

Bypass capacitors are necessary for stable operation of the KIA79MXX series of regulators over the input voltage and output current ranges. Output bypass capacitors will improve the transient response of the regulator.

The bypass capacitors ($2.2\mu\text{F}$ on the input, $1.0\mu\text{F}$ on the output), Should be ceramic or solid tantalum which have good high frequency characteristics. If aluminum electrolytics are used, their values should be $10\mu\text{F}$ or larger. The bypass capacitors should be mounted with the shortest leads, and if possible, directly across the regulator terminals.

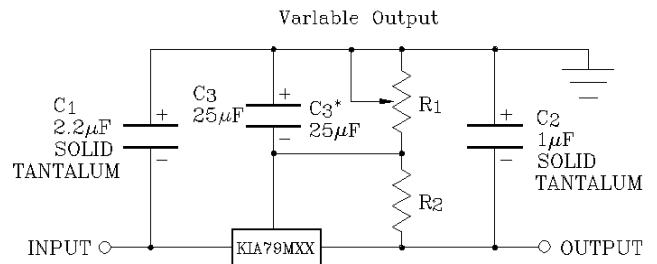


- (1) Required if regulator is separated from filter capacitor by more than 3.

For value given, capacitor must be solid tantalum. $25\mu\text{F}$ aluminum electrolytic may be substituted.

- (2) Required for stability. For value given, capacitor must be solid tantalum. $25\mu\text{F}$ aluminum electrolytic may be substituted. Values given may be increased without limit.

For output capacitance in excess of $100\mu\text{F}$, a high current diode from input to output (1N4001, etc.) will protect the regulator from momentary input shorts.



- * Improves transient response and ripple rejection. Do not increase beyond $50\mu\text{F}$.

$$V_{\text{OUT}} = V_{\text{SET}} \left(\frac{R1 + R2}{R2} \right)$$

Select R2 as follows :

KIA79M05	300 Ω
KIA79M12	750 Ω
KIA79M15	1k Ω